

## Hyperion 960IPS Compact Ionising Bar

**Product Code:** A960



The new Hyperion 960IPS from Meech is a compact pulsed DC ionising bar with Integrated Power Supply (IPS). Powered by 24V DC, the 960IPS delivers powerful ionisation for close to mid-range applications. The 960IPS replaces the 929IPS and 971IPS-15kV.

The need for powerful ionisation to cope with modern fast machinery is answered by the Hyperion 960IPS. Compact dimensions of just 29 x 42mm make it easy to install on printing and converting machinery. The 15KV pulsed DC output gives class-leading performance. The default settings will provide ideal static control on most installations with target distances from 100mm to 600mm. For more challenging applications the Hyperion BarMaster or SmartControl programming unit allows the settings of the bar to be adjusted by the user, to give optimum performance; ideal for close tolerance applications such as RFID production machinery or for improving long-range performance. This option is unique - our main competitors have no equivalent method of adjustment.

### Features

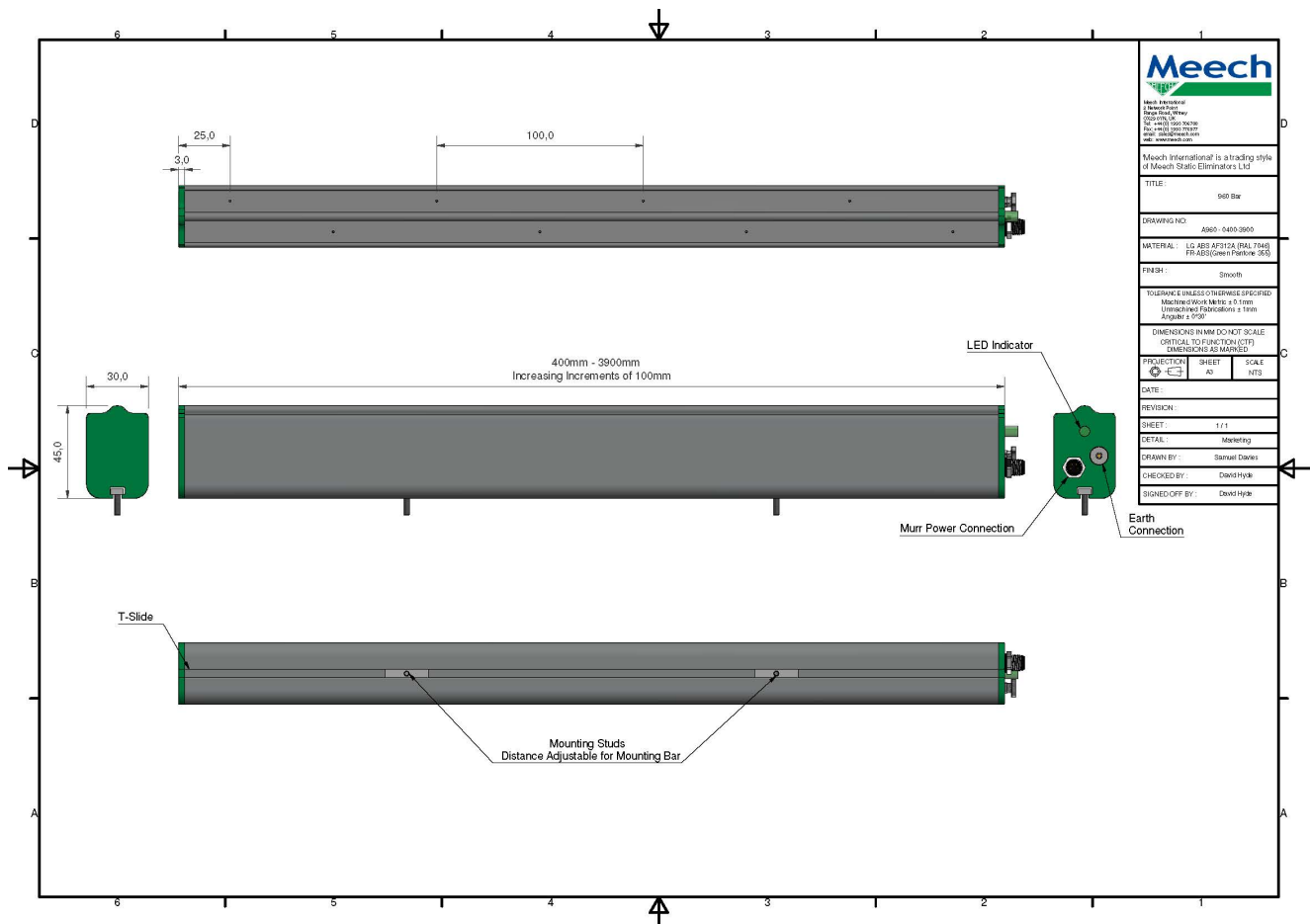
### Benefits

15kV Voltage	The new 960IPS bar provides 15kV of voltage compared to the 10kV of the original 929IPS bar. This increase in power allows the 960IPS to operate at greater distances (up to 600mm) whilst also providing faster decay time than previous 929IPS.
Low Voltage Wiring	The 960IPS is powered by 24V DC. The connection system is a standard industrial M8 connector. This greatly simplifies installation; avoiding the need to route high voltage cables from a remote high voltage power supply.
Adjustable Output	Performance can be optimised using the optional Hyperion BarMaster programmer or SmartControl. Adjustable balance allows fine control in sensitive applications. Adjustable frequency allows the selection of the optimum frequency for the target distance. Slower frequencies give better control over longer distances. Adjustable voltage for improved performance.
Shockless Titanium Emitters	The Titanium emitter pins on the 960IPS are resistively coupled to the high voltage supply. Independent research has shown Titanium to be one of the very best materials for emitter pins; with extremely low wear rates. The resistive coupling built into the bar makes the pins shockless to touch, making it safe for operators to handle.
Dual Alarm Lines	The 960IPS adopts the advanced alarm system of the latest Hyperion products. Dual alarm lines tell remote monitoring systems whether the ionising equipment needs routine maintenance or whether there is a more serious system failure. The flexible configuration of the alarm system, allows the alarm lines to be interfaced with PLCs, buzzers and remote lamps.
Remote Signal	In the case of a flashing red or constant red LED, the output signal will activate. This can be monitored remotely to alert the operator to attend to the bar. The output is an open collector output that can be configured to drive external alarms or provide signals to PLCs.
IP66 Construction	IP66 construction allows the bar to be mounted in areas subject to wash-down or where there is the likelihood of spillages Please note that should the bar become wet it must be thoroughly dried before being powered-up.
Clean Pins Alert	The local LED flashes green to indicate that the bar is on, working correctly and giving good ionisation performance. A red flashing LED shows that Meech's Ion Current Monitoring technology has detected that the bar needs cleaning – Vital information not available on competitors' bars. Constant red illumination indicates that a fault has been detected on the high voltage outputs.
Slimlined End Cap Design	The end caps of the 960IPS are slimline, resulting in no dead space. The bar offers full-length ionisation, with the effective length the same as the overall length of the bar.
Divider	The 960IPS needs to be able to operate in dirty, factory environments. To minimise the impact of contamination and maximise the interval between cleaning, the bar features a divider between the positive and negative emitters. This divider, first introduced by Meech on the 976 bar, over 12 years ago, is an essential feature of the bar.
T-Slot	Mounting of the bar is made easy using the T-Slot at the rear of the bar. The M4 T-Bolts used are the same as used on other Meech pulsed dc bars (976 and 971)

Product shown in this document may be covered by one or more patents, patents applied for and/or registered designs and/or trade marks. For further information please refer to our Head Office or visit [www.meech.com](http://www.meech.com).

## Technical Characteristics

Output Range	+/- 15kV
Range	100 - 600mm
Dimensions (WxH)	30 x 45mm
Maximum Length	3900mm
Weight	0.9kg/metre
Low Voltage Wiring	24V DC Supply - Suits installation on modern machinery
Integrated Power Supply	Removes the need for high voltage wiring
Construction	PVC/ABS FR.
Mounting	'T' Slot with M4 x 30 studs
Emitters	Sharp titanium pins
Input Current	Max 500mA
Input Voltage	24V DC (21-27V DC)
Output Voltage	+/- 15kV Pulsed DC
Clean Pin Output Signal	Open collector, Vmax = 24V; Imax = 20mA
Output Frequency	Default Setting: 5hZ Adjustable with BarMaster and SmartControl
Output Balance	Default Setting: 52%:48% Pos:Neg
Environmental Protection	IP66
Max Ambient Temperature	60 °C



Product shown in this document may be covered by one or more patents, patents applied for and/or registered designs and/or trade marks. For further information please refer to our Head Office or visit [www.meech.com](http://www.meech.com).