

SAFETY CHUCKS





CONSTANTLY EXPANDING.

It is our history, since 1954.

It is the history of those who have always looked ahead with determination and courage, to create what is today one of the most important companies, worldwide, in the design and construction of expansion devices (shafts and chucks), safety chucks, handling systems (extractors, trolleys, lifting platforms) and rollers.

Vision

Winding and unwinding perfect reels with maximum efficiency.

Mission

Create user friendly, innovative and highly customizable winding and unwinding systems.

Values

Honesty and integrity
Constant work for customer satisfaction
Respect and recognition for people's value

MECHANICAL SAFETY CHUCKS WITH U SQUARED SHAPED AND TILTING RING MOD. 900 **PAG 06**

MECHANICAL SAFETY CHUCKS WITH V SQUARED SHAPED AND SLIDING RING MOD. 905 **PAG 08**

MECHANICAL SAFETY CHUCKS WITH V SQUARED SHAPED AND TILTING RING MOD. 910 **PAG 10**

MECHANICAL SAFETY CHUCKS

WITH ROUND-SQUARED SHAPED AND SLIDING RING MOD. 925 **PAG 12**

SELF-CLOSING MECHANICAL SAFETY CHUCKS

WITH ROUND-SQUARE/SQUARE-SQUARE SHAPED AND SLIDING RING MOD. 926 **PAG 14**

PNEUMATIC SAFETY CHUCKS

WITH ROUND-SQUARED/SQUARED-SQUARED SHAPED MOD. 936 AND 936 **PAG 16**

MECHANICAL SAFETY CHUCKS WITH SLIDING RING, AXIAL MOVEMENT
AND ROUND-SQUARE SHAPED MOD. 950 **PAG 18**

SELF-CLOSING MECHANICAL SAFETY CHUCKS WITH SLIDING RING,
AXIAL MOVEMENT AND ROUND-SQUARED SHAPED MOD. 951 **PAG 20**

PNEUMATIC SAFETY CHUCKS

WITH ROUND-SQUARED SHAPED AND AXIAL MOVEMENT MOD. 955 AND 956 **PAG 22**

MECHANICAL SAFETY CHUCKS WITH U SQUARED SHAPED AND TILTING RING

MOD. 900



easily repairable;
requires low
maintenance



lower installation
costs



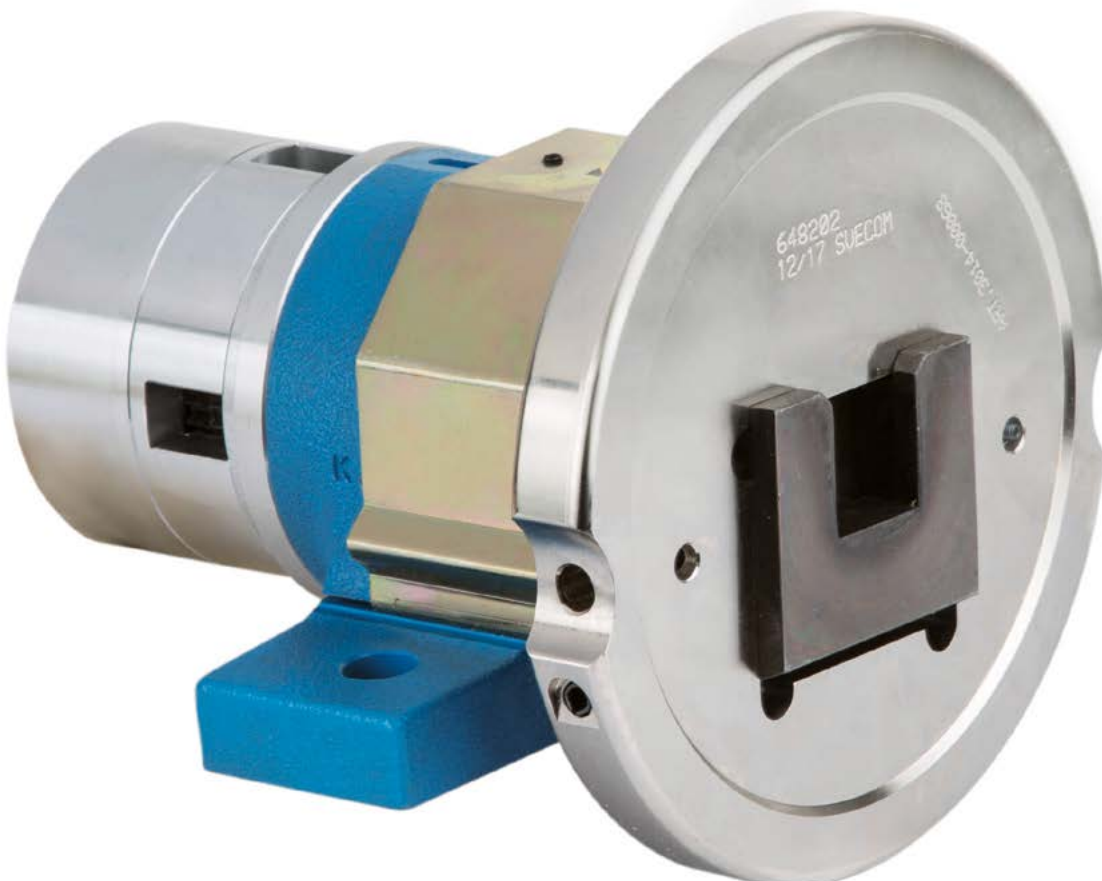
high payload
capacity



12-month warranty
ensures the quality
of the product



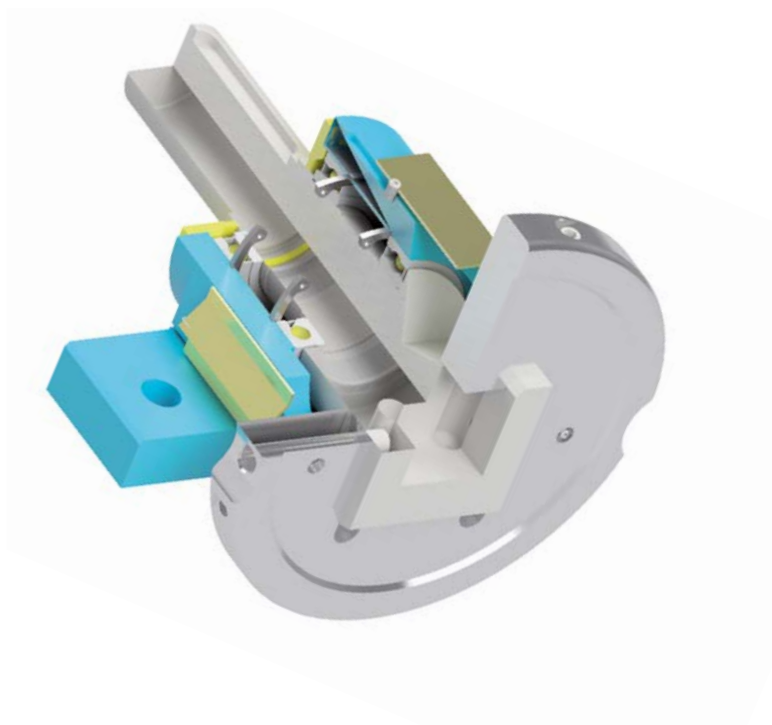
chosen from time to time
based on the application;
60 years of experience



They are used to wind or unwind material in rolls on expanding or non-expanding shafts; they allow to load or unload rolls more easily without moving the airshaft directly.

Tilting safety chuck (tilting disc opening), there are several versions: light, heavy, ultra-heavy and with axial movement.

Use with/without shaft or with handwheel; round/square insert. Several tilting and sliding models are available to suit different loads. Any model can be both foot-mounted and flange-mounted. Upon request, they can be supplied with brake or cam lock.



FEATURES MOD. 900

- Robustness
- Does not require air
- Quality components

DATA SHEET*		900
CAPACITY PERP PAIR	from 6.000 N TO 60.000 N (reel weight)	
MAX TORQUE TRANSMISSIBLE	from 235 Nm to 2.500 Nm	
MAX SPEED	from 300 RPM to 1.000 RPM	
SQUARE STANDARD SOCKET	from □ 25-50 to □ 60-80	
STANDARD SHAFT DIAMETER	from Ø 25-30 to Ø 50-60	

* The technical data are purely indicative. Contact Svecom - P.E. for personalized requests

MECHANICAL SAFETY CHUCKS WITH V SQUARED SHAPED AND SLIDING RING

MOD. 905



lower installation
costs



high payload
capacity



12-month warranty
ensures the quality
of the product

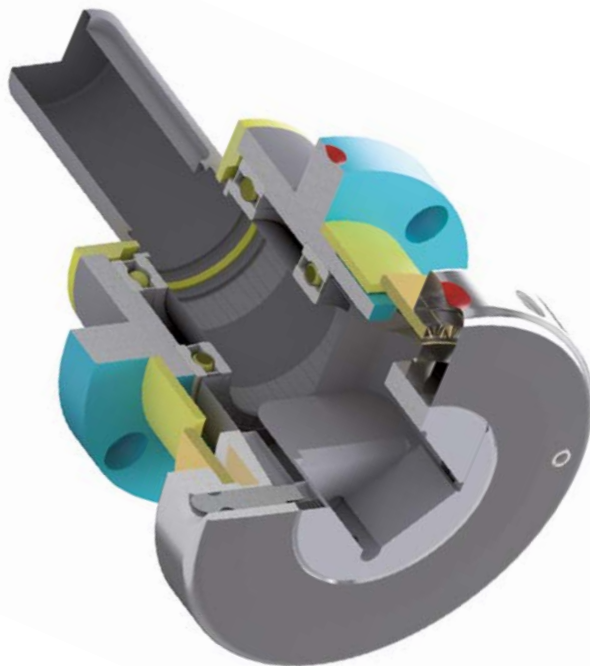


chosen from time to time
based on the application;
60 years of experience



They are used to wind or unwind material in rolls on expanding or non-expanding shafts; they allow to load or unload rolls more easily without moving the airshaft directly.

Sliding safety chuck (sliding disc opening) with 45° square ends. Light and heavy versions, with or without shaft. Several tilting and sliding models are available to suit different loads, any model can be both foot-mounted and flange-mounted. Must be closed manually. Upon request, they can be supplied complete with brake and be prepared for use with open-closed reading proximity.



FEATURES MOD. 905

- Robustness
- Does not require air
- Quality components

DATA SHEET*		905
CAPACITY PERP PAIR	from 6.000 N to 15.600 N (reel weight)	
MAX TORQUE TRANSMISSIBLE	from 235 NM to 940 NM	
MAX SPEED	from 300 RPM to 900 RPM	
SQUARE STANDARD SOCKET	from □ 25-40 to □ 30-50	
STANDARD SHAFT DIAMETER	from Ø 25-30 to Ø 25-45	

* The technical data are purely indicative. Contact Svecom - P.E. for personalized requests

MECHANICAL SAFETY CHUCKS WITH V SQUARED SHAPED AND TILTING RING

MOD. 910



lower installation
costs



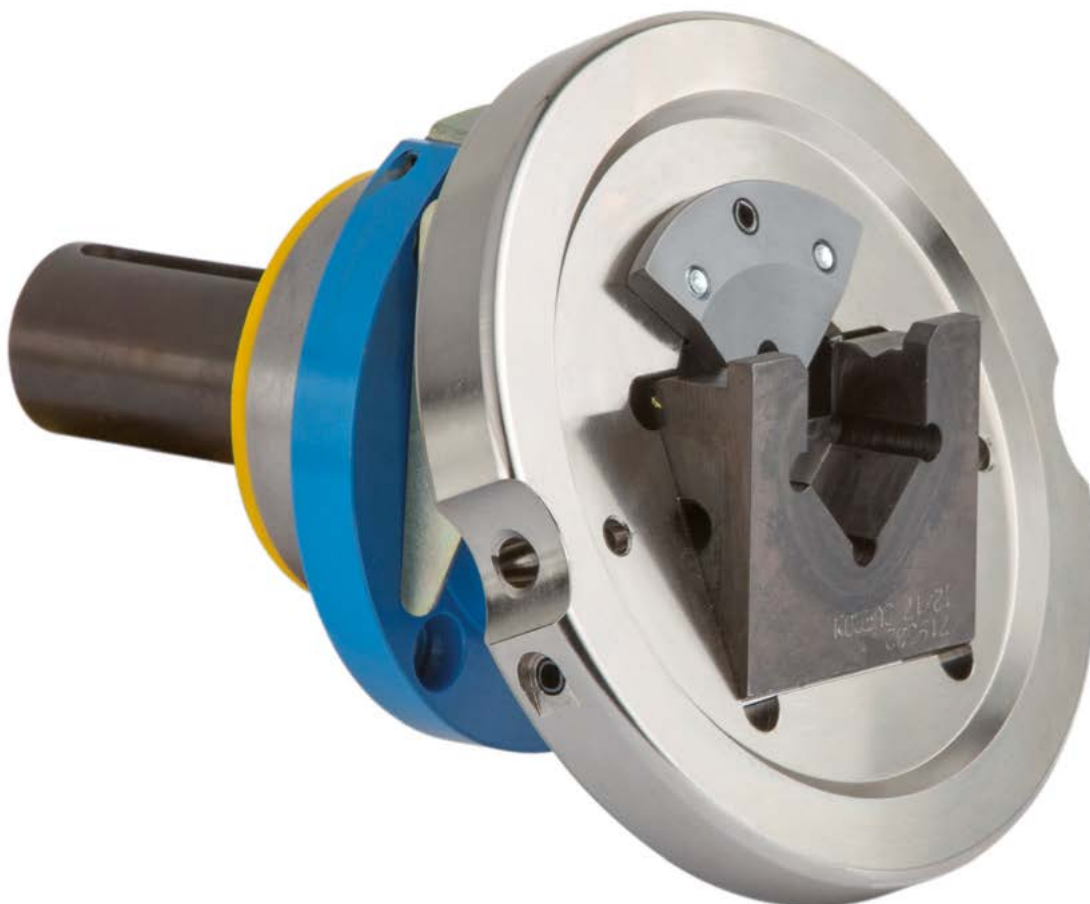
high payload
capacity



12-month warranty
ensures the quality
of the product

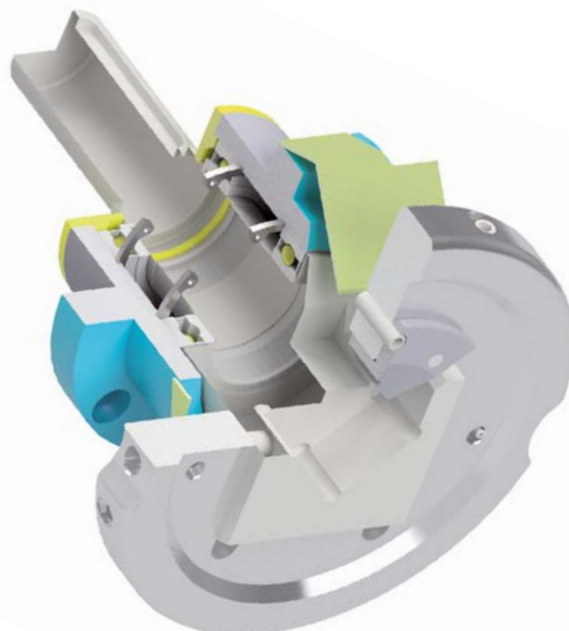


chosen from time to time
based on the application;
60 years of experience



They are used to wind or unwind material in rolls on expanding or non-expanding shafts; they allow to load or unload rolls more easily without moving the airshaft directly.

Tilting safety chuck (tilting disc opening).
 Use with or without shaft. Square/Square Coupling at 45°. Several tilting and sliding models are available to suit different loads, any model can be both foot-mounted and flange-mounted.
 Must be closed manually.
 Upon request, they can be supplied with brake or cam lock.



FEATURES MOD. 910

- Robustness
- Does not require air
- Quality components
- High performance

DATA SHEET*	910
CAPACITY PERP PAIR	fino a 15.600 N (reel weight)
MAX TORQUE TRANSMISSIBLE	fino a 1.000 Nm
MAX SPEED	da 600 RPM
SQUARE STANDARD SOCKET	da □ 30-40 a □ 50
STANDARD SHAFT DIAMETER	da Ø 25-45 a Ø 45

* The technical data are purely indicative. Contact Svecom - P.E. for personalized requests

MECHANICAL SAFETY CHUCKS WITH ROUND-SQUARED SHAPED AND SLIDING RING

MOD. 925



lower installation costs



high payload capacity



12-month warranty ensures the quality of the product



chosen from time to time based on the application; 60 years of experience

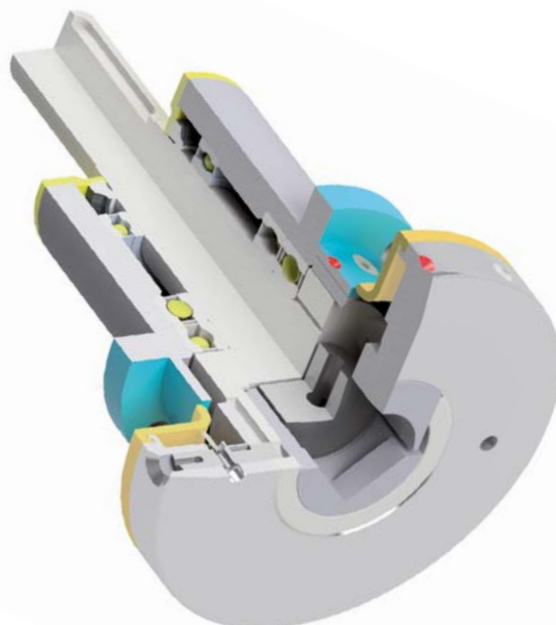


They are used to wind or unwind material in rolls on expanding or non-expanding shafts; they allow to load or unload rolls more easily without moving the airshaft directly.

Sliding safety chuck (sliding disc opening). Several tilting and sliding models are available to suit different loads.

They are light, heavy or extra heavy.

Square/Square or Square/Round Coupling. Using with or without Shaft. Several tilting and sliding models are available to suit different loads, any model can be both foot-mounted and flange-mounted. Must be closed manually. Upon request, they can be supplied complete with brake and be prepared for use with open-closed reading proximity.



FEATURES MOD. 925

- Robustness
- Does not require air
- Quality components
- Low maintenance

DATA SHEET*	925
CAPACITY PERP PAIR	da 15.600 N a 70.000 N (Peso Bobina)
MAX TORQUE TRANSMISSIBLE	da 1.000 Nm a 3.000 Nm
MAX SPEED	da 1.200 RPM a 1.500 RPM
SQUARE STANDARD SOCKET	da □ 30-35 a □ 40-50
STANDARD SHAFT DIAMETER	Ø 45 - Ø 50 - Ø 60

* The technical data are purely indicative. Contact Svecom - P.E. for personalized requests

SELF-CLOSING MECHANICAL SAFETY CHUCKS WITH ROUND-SQUARE/SQUARE-SQUARE SHAPED AND SLIDING RING

MOD. 926



lower installation costs



high payload capacity



12-month warranty ensures the quality of the product



chosen from time to time based on the application; 60 years of experience



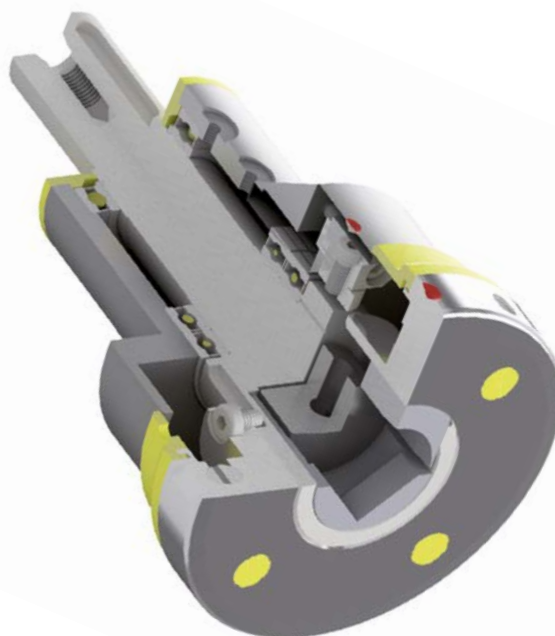
They are used to wind or unwind material in rolls on expanding or non-expanding shafts; they allow to load or unload rolls more easily without moving the airshaft directly.

Sliding safety chuck (sliding disc opening). Several tilting and sliding models are available to suit different loads.

They are light or heavy. Square/Square or Square/Round Coupling. Using with or without Shaft. Several tilting and sliding models are available to suit different loads, any model can be both foot-mounted and flange-mounted.

Must be closed manually.

Upon request, they can be supplied complete with brake and be prepared for use with open-closed reading proximity.



FEATURES MOD. 926

- Robustness
- Does not require air
- Quality components

DATA SHEET*		926
CAPACITY PERP PAIR	from 15.600 N to 30.000 N (reel weight)	
MAX TORQUE TRANSMISSIBLE	from 1.000 NM to 1.300 NM	
MAX SPEED	from 1.200 RPM to 1.500 RPM	
SQUARE STANDARD SOCKET	from □ 30 Ø 42 □ 35 Ø 50 □ 40 Ø 55	
STANDARD SHAFT DIAMETER	Ø 45 - Ø 50	

* The technical data are purely indicative. Contact Svecom - P.E. for personalized requests

PNEUMATIC SAFETY CHUCKS WITH ROUND-SQUARED SHAPED

MOD. 935 e 936



lower installation
costs



high payload
capacity



12-month warranty
ensures the quality
of the product



chosen from time to time
based on the application;
60 years of experience



They are used to wind or unwind material in rolls on expanding or non-expanding shafts; they allow to load or unload rolls more easily without moving the airshaft directly.

Pneumatic Sliding safety chuck (sliding disc opening), with rotating or fixed head, with round/square ends, they are light or heavy. Use with or without shafts.

Several tilting and sliding models are available to suit different loads, any model can be both foot-mounted and flange-mounted.

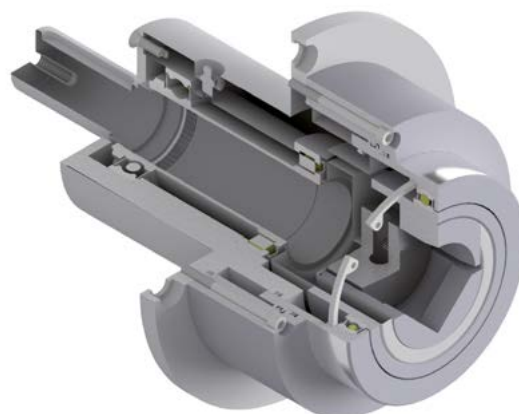
Upon request, they can be supplied complete with brake and be prepared for use with open-closed reading proximity.

FEATURES MOD. 935 - 936

- Robustness
- Does not require air
- Quality components



Mod. 935



Mod. 936

DATA SHEET*	935-936
CAPACITY PERP PAIR	from 15.600 N to 30.000 N (reel weight)
MAX TORQUE TRANSMISSIBLE	from 1.000 NM to 1.300 NM
MAX SPEED	from 1.200 RPM to 1.500 RPM
SQUARE STANDARD SOCKET	from □ 35-50 to □ 40-55
STANDARD SHAFT DIAMETER	from Ø 25-45 to Ø 30-50

* The technical data are purely indicative. Contact Svecom - P.E. for personalized requests

MECHANICAL SAFETY CHUCKS WITH SLIDING RING, AXIAL MOVEMENT AND ROUND-SQUARE SHAPED

MOD. 950



lower installation
costs



high payload
capacity



12-month warranty
ensures the quality
of the product



chosen from time to time
based on the application;
60 years of experience

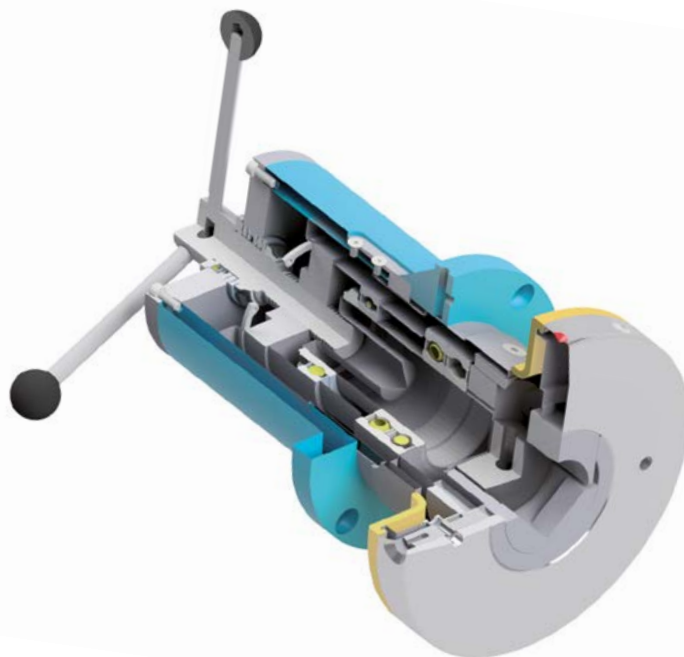


They are used to wind or unwind material in rolls on expanding or non-expanding shafts; they allow to load or unload rolls more easily without moving the airshaft directly.

Sliding safety chuck (sliding disc opening). With sliding and axial movement, the models are available to suit different loads.

They are light or heavy. Square/Square or Square/Round Coupling. Using with Shaft or with Handwheels. Several tilting and sliding models are available to suit different loads, any model can be both foot-mounted and flange-mounted. Must be closed manually.

Upon request, they can be supplied complete with brake and be prepared for use with open-closed reading proximity.



FEATURES MOD. 950

- Robustness
- Does not require air
- Quality components
- High performance

DATA SHEET*	950
CAPACITY PERP PAIR	from 15.600 N to 30.000 N (reel weight)
MAX TORQUE TRANSMISSIBLE	from 1.000 NM to 1.300 NM
MAX SPEED	from 1.200 RPM to 1.500 RPM
SQUARE STANDARD SOCKET	from □ 30-42 to □ 40-55
STANDARD SHAFT DIAMETER	from Ø 25-45 to Ø >=50

* The technical data are purely indicative. Contact Svecom - P.E. for personalized requests

SELF-CLOSING MECHANICAL SAFETY CHUCKS WITH SLIDING RING, AXIAL MOVEMENT AND ROUND-SQUARED SHAPED

MOD. 951



lower installation costs



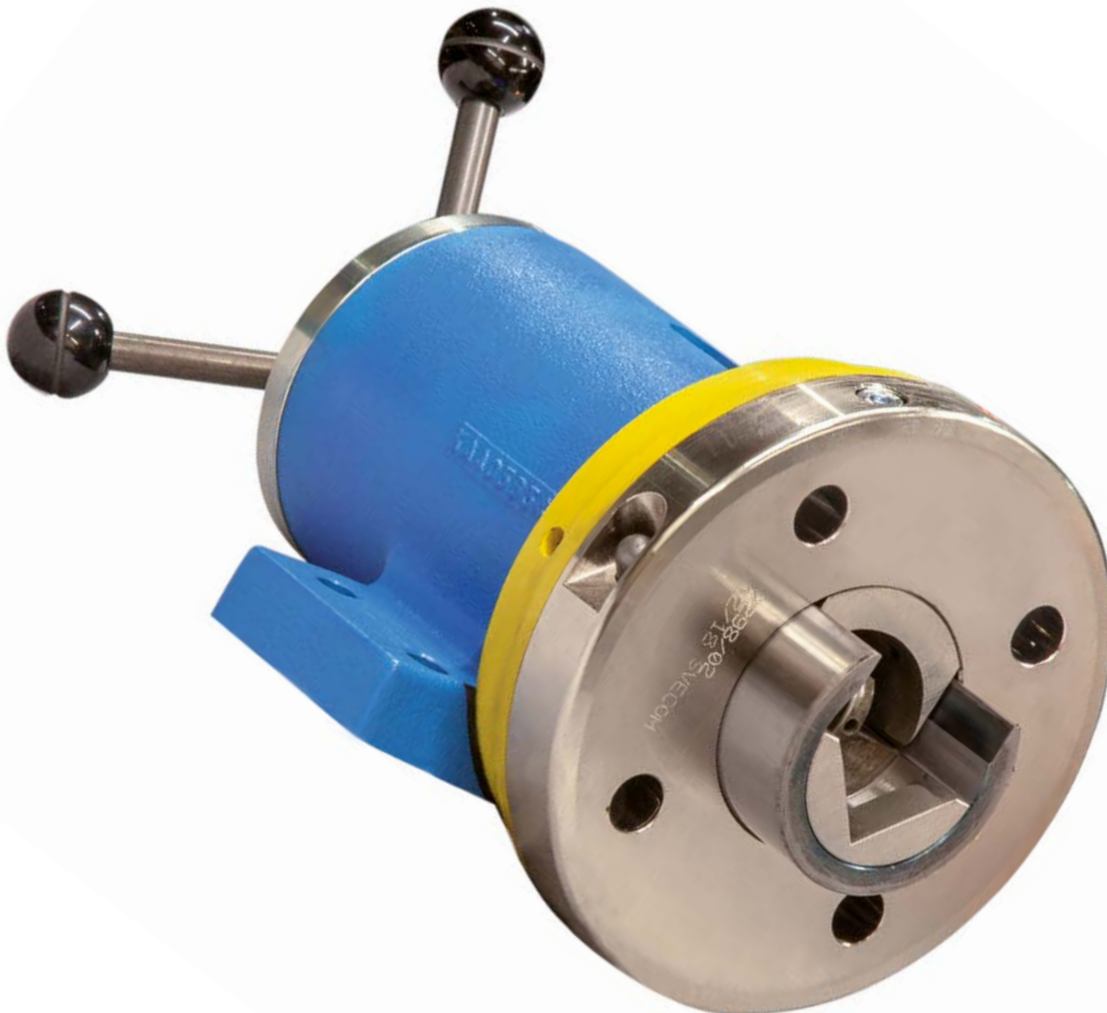
high payload capacity



12-month warranty ensures the quality of the product



chosen from time to time based on the application; 60 years of experience

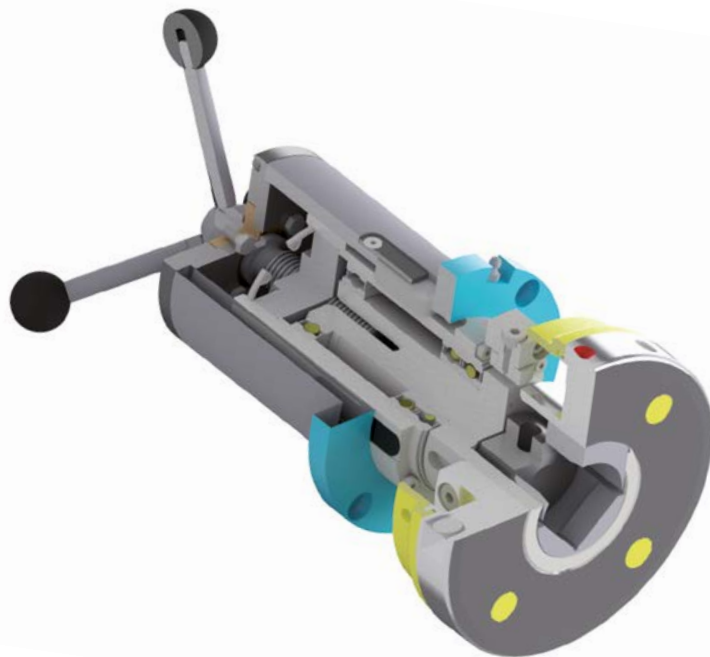


They are used to wind or unwind material in rolls on expanding or non-expanding shafts. They allow to load or unload rolls more easily without moving the airshaft directly.

Sliding safety chuck (sliding disc opening). With sliding and axial movement, the models are available to suit different loads.

They are light or heavy. Square/Square or Square/Round Coupling. Using with Shaft or with Handwheels. Several tilting and sliding models are available to suit different loads, any model can be both foot-mounted and flange-mounted.

Upon request, they can be supplied complete with brake and be prepared for use with open-closed reading proximity.



FEATURES MOD. 951

- Robustness
- Does not require air
- Quality components
- High performance

DATA SHEET*	951
CAPACITY PERP PAIR	from 15.600 N to 30.000 N (reel weight)
MAX TORQUE TRANSMISSIBLE	from 1.000 NM to 1.300 NM
MAX SPEED	from 1.200 RPM to 1.500 RPM
SQUARE STANDARD SOCKET	from □ 30 Ø 42 □ 35 Ø 50 □ 40 Ø 55
STANDARD SHAFT DIAMETER	from Ø 45-50 to Ø >=50

* The technical data are purely indicative. Contact Svecom - P.E. for personalized requests

PNEUMATIC SAFETY CHUCKS WITH ROUND-SQUARED SHAPED AND AXIAL MOVEMENT

MOD. 955 e 956



lower installation
costs



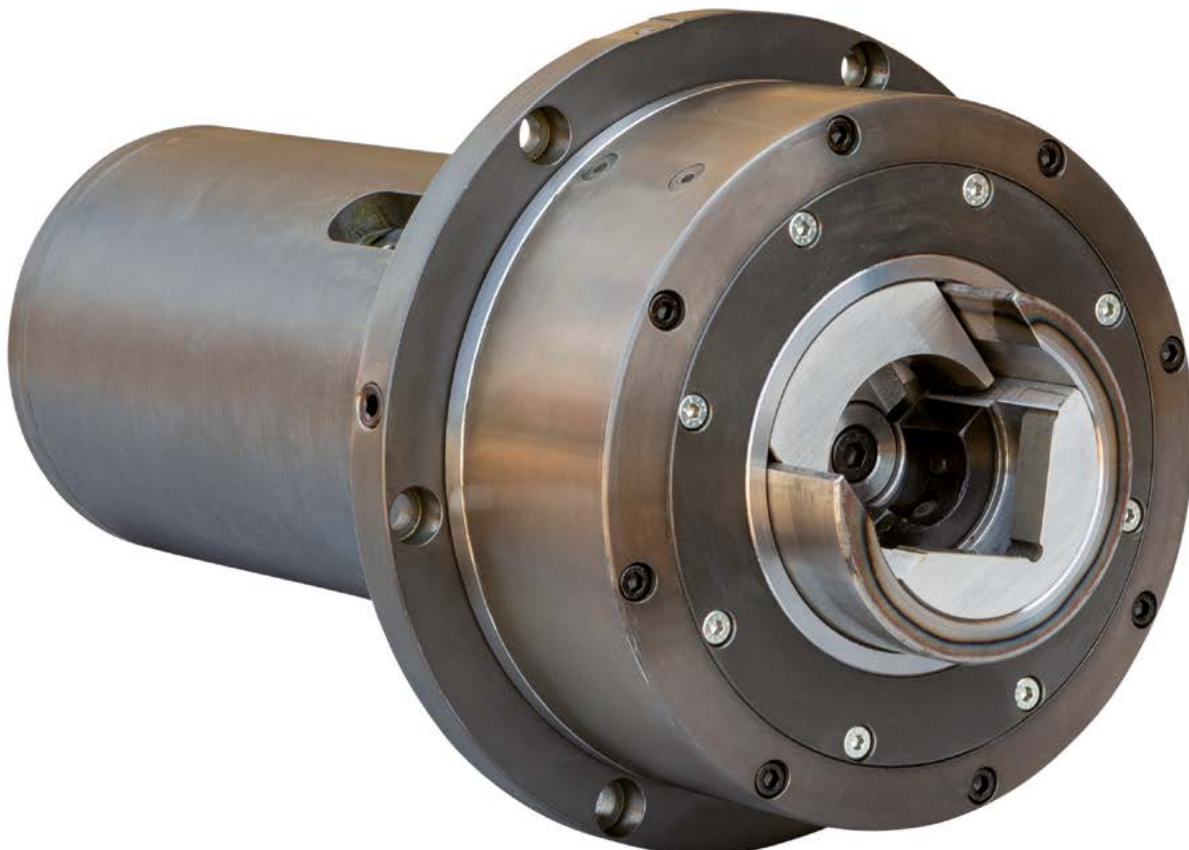
high payload
capacity



12-month warranty
ensures the quality
of the product



chosen from time to time
based on the application;
60 years of experience

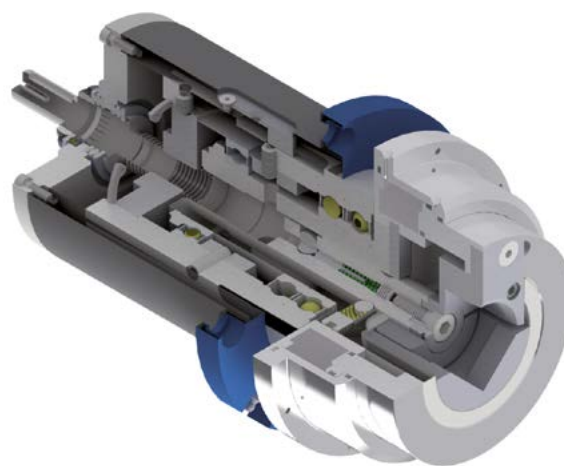


They are used to rewind or unwind material in rolls on expanding or non-expanding shafts. They allow to load or unload rolls more easily without moving the airshaft directly.

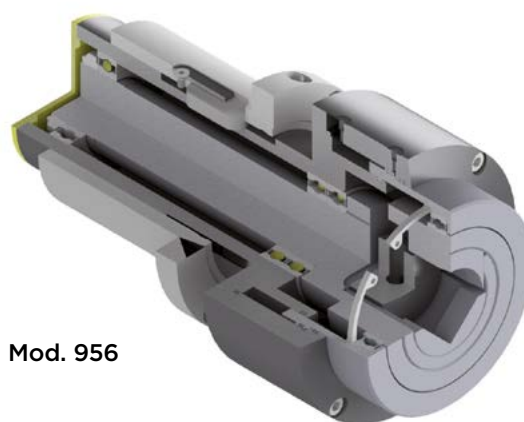
Sliding safety chuck (sliding disc opening).
 With sliding and axial movement, the models are available to suit different loads.
 They can have Rotating or Fixed Head, Square/Square or Square/Round Coupling.
 They are light or heavy.
 Using with Shaft or with Handwheels.
 Several tilting and sliding models are available to suit different loads, any model can be both foot-mounted and flange-mounted.
 Upon request, they can be supplied complete with brake and be prepared for use with open-closed reading proximity.

FEATURES MOD. 955 - 956

- Robustness
- Does not require air
- Quality components



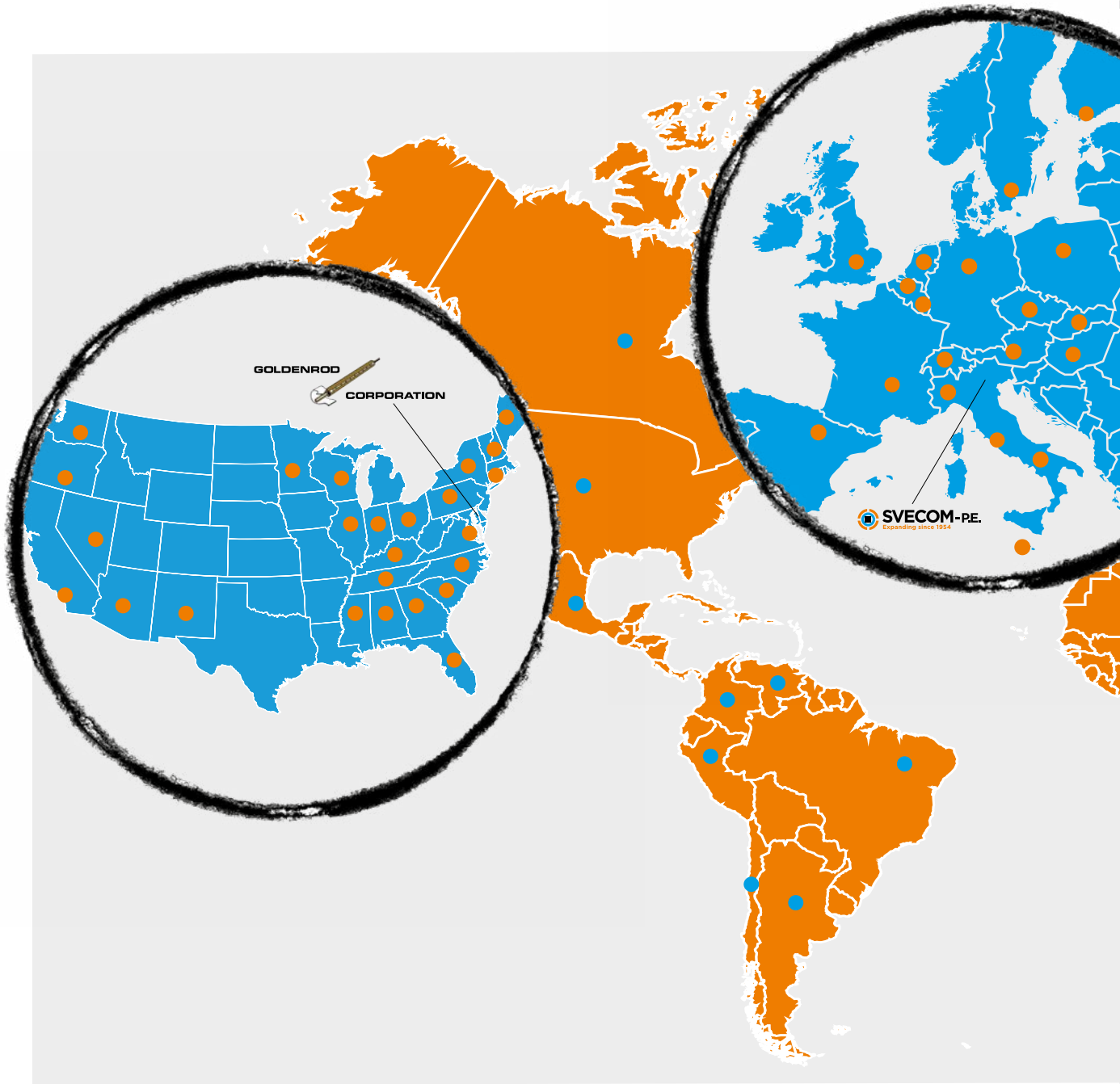
Mod. 955



Mod. 956

DATA SHEET *	955-956
CAPACITY PERP PAIR	from 15.600 N to 30.000 N (reel weight)
MAX TORQUE TRANSMISSIBLE	from 1.000 NM to 1.300 NM
MAX SPEED	from 1.200 RPM to 1.500 RPM
SQUARE STANDARD SOCKET	from □ 30 Ø 42 □ 35 Ø 50 □ 40 Ø 55
STANDARD SHAFT DIAMETER	from Ø 25-45 to Ø 30-50

* The technical data are purely indicative. Contact Svecom - P.E. for personalized requests



● SALES NETWORK

EUROPE

Italy
Austria
Belgium
Czech Republic
Finland
France
Germany
Greece
Netherlands
Luxemburg

Malta
Poland
Slovakia
Spain
Sweden
Switzerland
United Kingdom
Russia
Turkey

ASIA

China
India
Pakistan
Saudi Arabia
Indonesia
Iran
Israel
Lebanon
Malaysia
Taiwan

AMERICA

Argentina
Brazil
Colombia
USA
Canada
Mexico
Venezuela
Peru
Chile

AFRICA
Egypt



MAINTENANCE AND REPAIRS

EUROPE

France
United Kingdom
Czech Republic
Spain

Austria
Switzerland
Finland
Turkey

ASIA

China
Taiwan
India

AMERICA

Canada
Mexico
USA



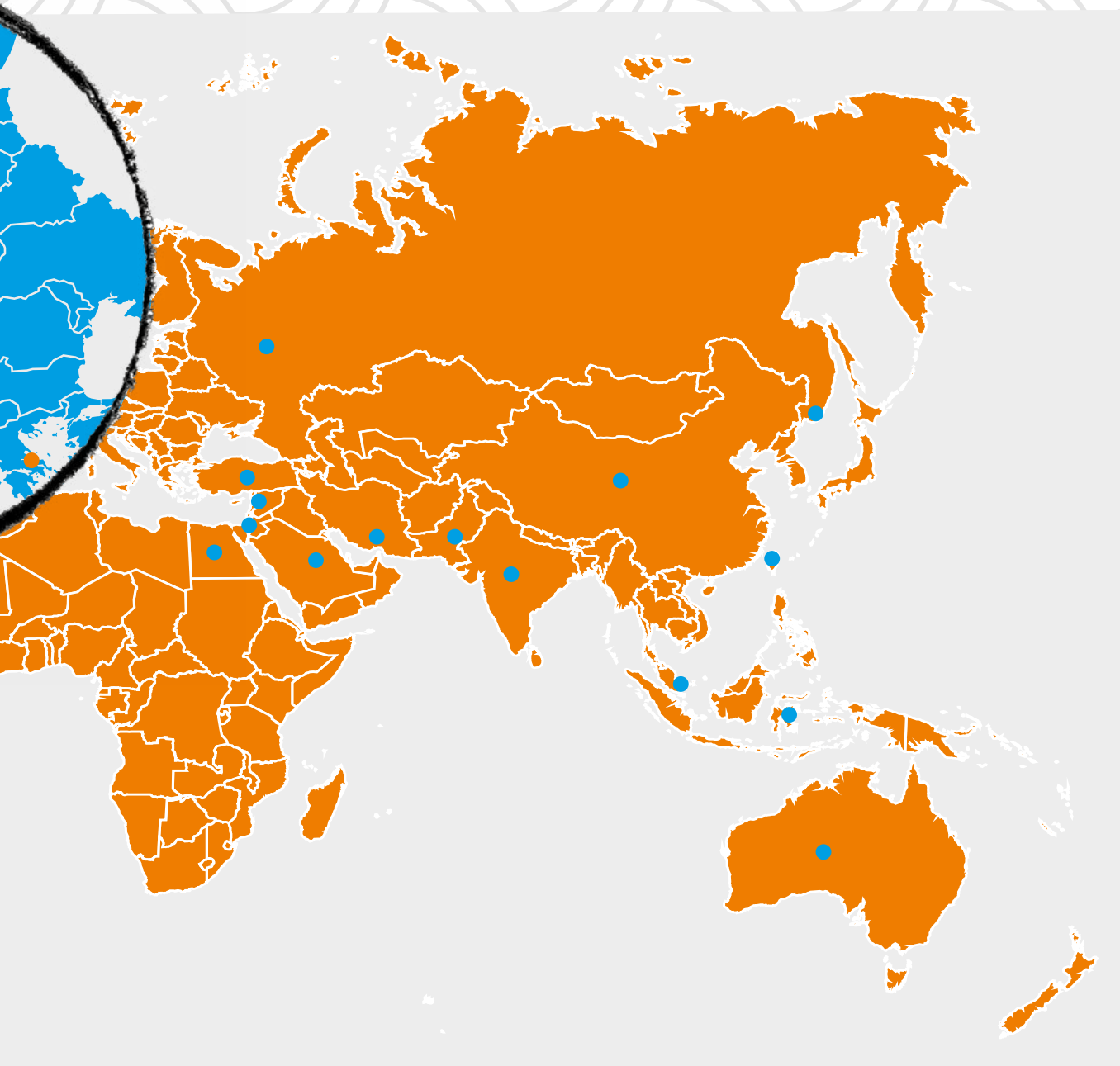
HEADQUARTERS

SVECOM P.E. SRL - 36075 Montecchio Maggiore (Vicenza) Italy - Via della Tecnica, 4
Tel: +39 0444 746211 - Fax: +39 0444 498098 - www.svecom.com - svecom@svecom.com



BRANCH USA GOLDENROD CORPORATION -25 Lancaster Dr, Beacon Falls, CT 06403, USA

SVECOM - P.E., A GLOBAL PRESENCE.



We are certified **UNI EN ISO 9001:2015** as a warranty of quality, reliability, technical experience, and attention to the needs of each individual customer. Aim of the certification: design, production, and assistance for mechanical and pneumatic expansion devices for the winding and unwinding of materials in reels. Thermal treatments.



Our cooling/heating rollers are designed, tested and built on the basis of the latest regulations and are certified according to PED 2014/68/UE and ASME.

